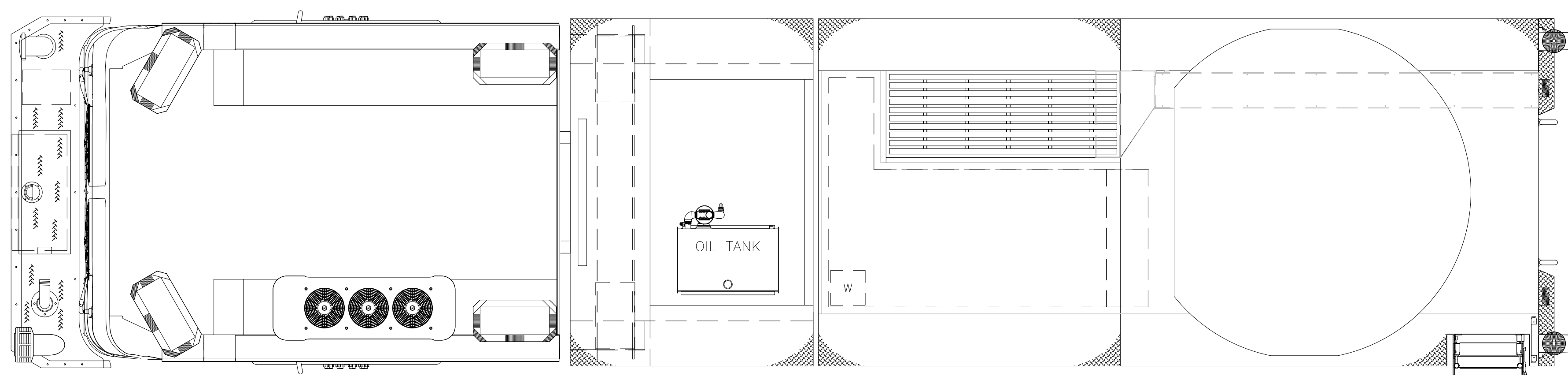
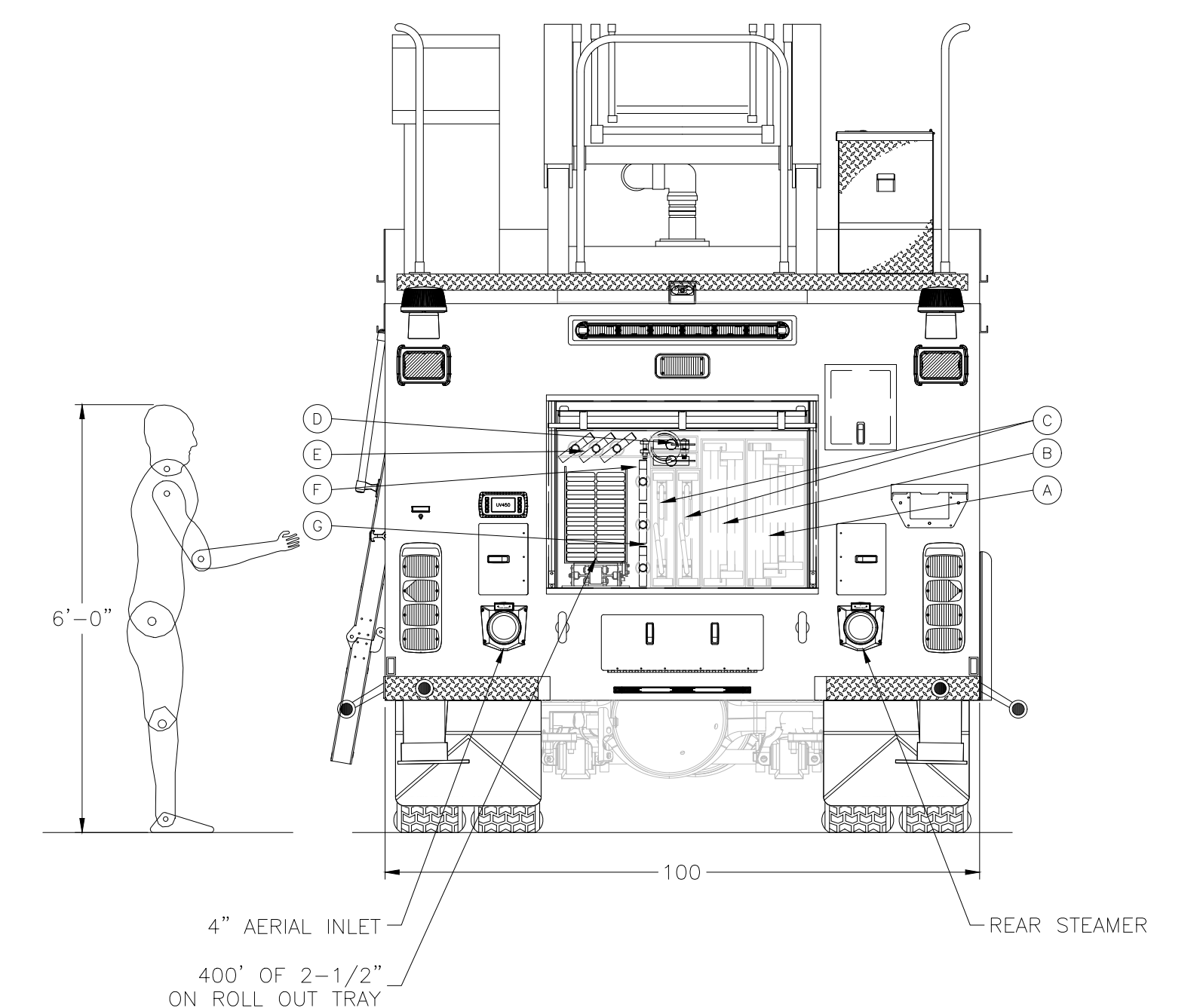
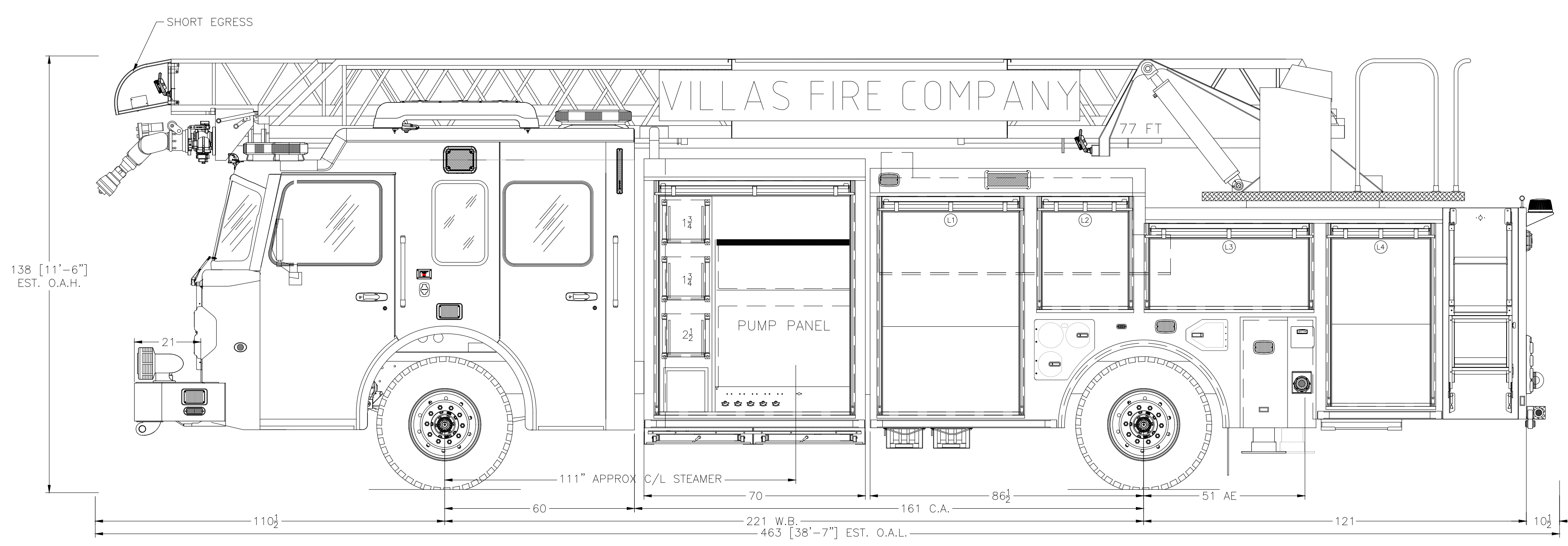


COMPT.	DOOR OPENING	INTERIOR	DIVIDE HEIGHT	DEPTH	LOWER
L1	43"W x 63"H	48.5"W x 77"H	27"	14"	23"
L2	27"W x 29"H	38.5"W x 43.5"H	-	14"	14"
L3	50"W x 21"H	53"W x 31"H	-	14"	14"
L4	31"W x 51"H	41"W x 61.5"H	25"	14"	23"
R1	43"W x 63"H	48.5"W x 77"H	27"	14"	TBD
R2	27"W x 29"H	38.5"W x 43.5"H	-	14"	14"
R3	50"W x 21"H	53"W x 31"H	-	14"	14"
R4	55"W x 51"H	62.5"W x 61.5"H	25"	14"	23"



GROUND LADDERS & PIKE POLES			
ITEM	DESCRIPTION	MODEL #	QTY
A	35' 3 SEC EXTENSION	1225-A	1
B	28' 2 SEC EXTENSION	1200-A	1
C	18' ROOF	875-A	2
D	4' D-HANDLE PIKE POLE	NHF-4 W/D	2
E	6" ROOF HOOK	RH-6	2
F	8" ROOF HOOK	RH-8	2
G	12" ROOF HOOK	RH-12	2
BASE	H 16' ROOF	875-A	1
FLY	I 6' NY ROOF HOOK	RH-6	1



**NOTE:**  
 THIS DRAWING IS THE PROPERTY OF SPARTAN FIRE, LLC AND IS TO BE USED ONLY IN REFERENCE TO THE WORK PROPOSED OR CONTRACTED BY SPARTAN FIRE, LLC ANY REPRODUCTION IN PART OR IN WHOLE WITHOUT THE WRITTEN PERMISSION OF SPARTAN FIRE, LLC IS STRICTLY PROHIBITED.  
 DIMENSIONS SHOWN ARE APPROXIMATE AND ARE SUBJECT TO CHANGE AS MAY BE FOUND NECESSARY DURING CONSTRUCTION. THIS DRAWING MUST BE PLOTTED TO THE PAPER SIZE LISTED IN THE TITLE BLOCK FOR THE LISTED SCALE TO BE VALID.  
 THIS DRAWING IS FOR REFERENCE PURPOSES ONLY. SOME ITEMS MAY OR MAY NOT APPEAR ON THE DRAWING THAT MAY OR MAY NOT BE INCLUDED IN THE SPECIFICATIONS. THE SPECIFICATIONS SHALL BE THE FINAL AUTHORITY TO DETERMINE WHAT IS SUPPLIED ON THE APPARATUS.

REV	INT	DATE	REVISION HISTORY
00	CL	6/17/25	INITIAL DRAWING BASED ON S4815, S5088, MARKED UP PDF
01	CL	7/30/25	ORIGINAL QUOTE

**PROPOSAL**

CHASSIS: SPARTAN METRO STAR EMFD 10" RAISED ROOF WITH 10" TRENCH  
 ENGINE: CUMMINS X10 450HP WITH ALLISON 4000 EVS  
 PUMP: HAILE QMAX 1500 GPM  
 WATER TANK: 400 U.S. GAL  
 FOAM CELL: N/A  
 BODY MATERIAL: 1/8" ALUMINUM  
 HOSE BED: 750' OF 5" / 30 CUBIC FEET  
 GENERATOR: N/A  
 GALVANIZED TORQUE BOX  
 COMPARTMENTS: 155 CUBIC FEET



VILLAS FIRE DEPARTMENT  
 VILLAS, NJ  
 MODEL: 77' REAR MOUNT AERIAL (S23RL-77)  
 DEALERSHIP: CAMPBELL SUPPLY  
 SCALE: 1/2" = 1' DRAWN BY: CL DATE: 7/30/25  
 SIZE: 24" X 36" DRAWING NO: 24894 REV: 01  
 SHEET: 1 OF 1