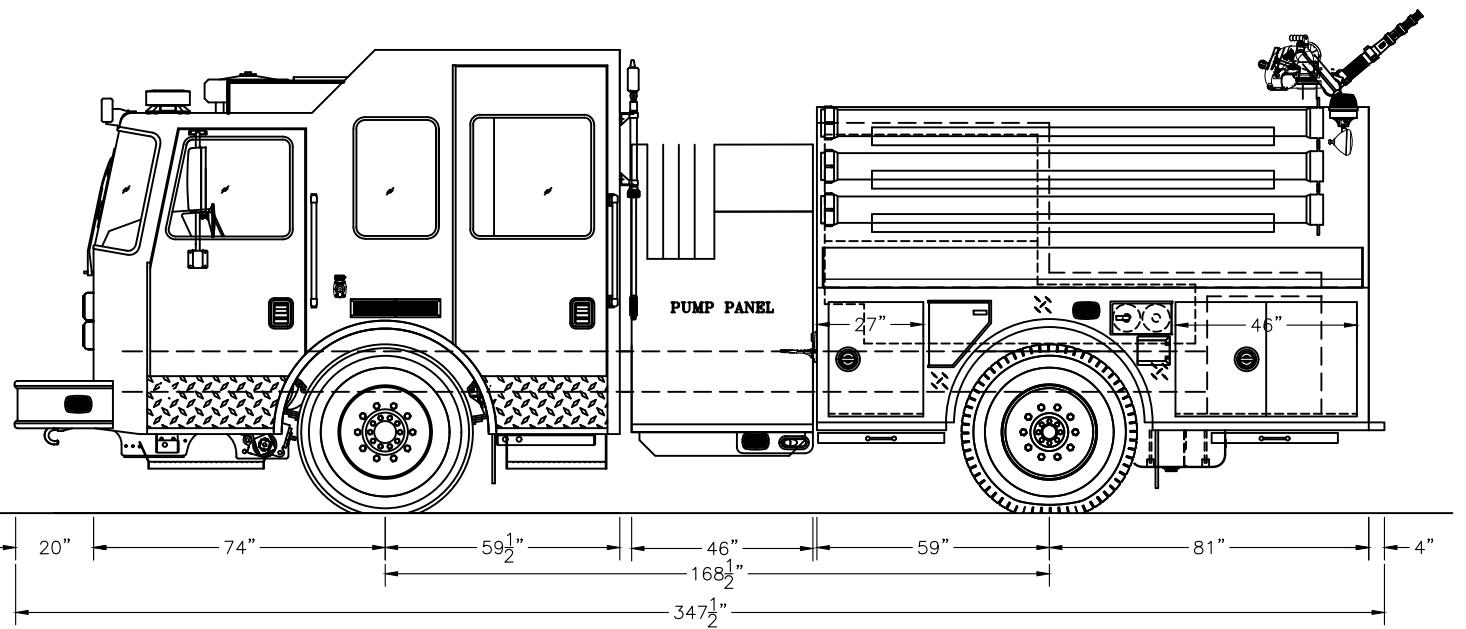
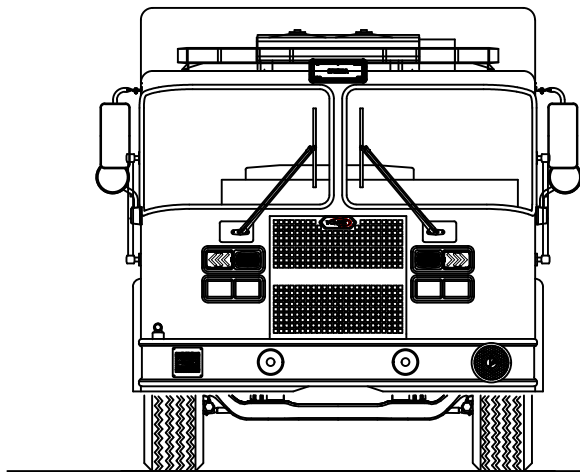
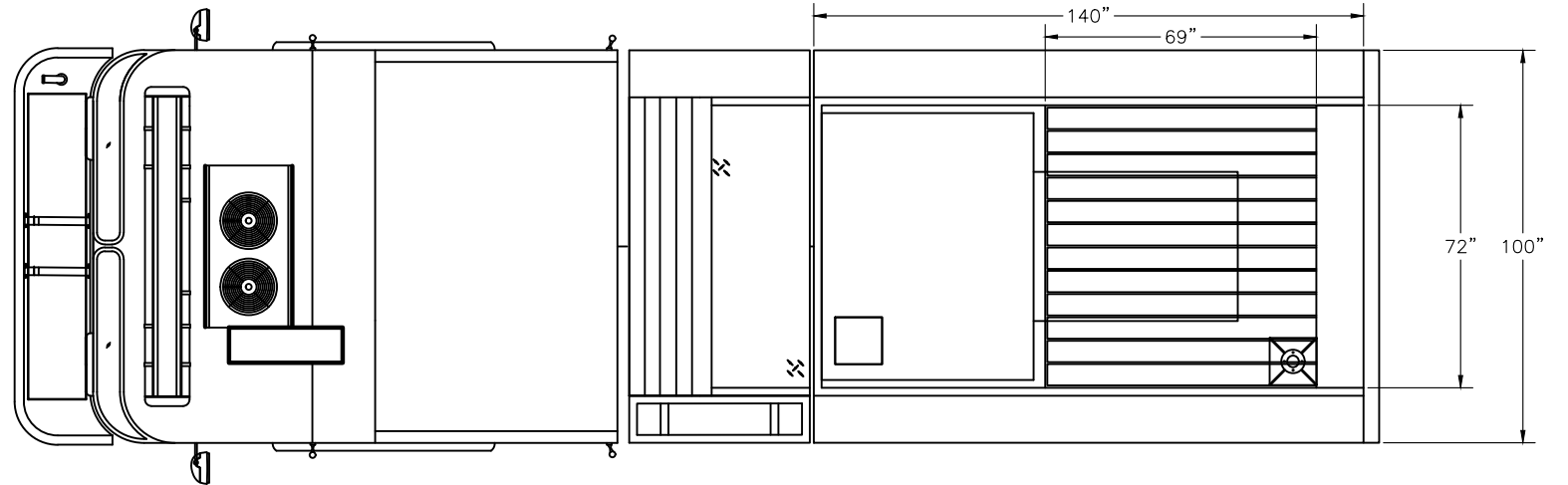
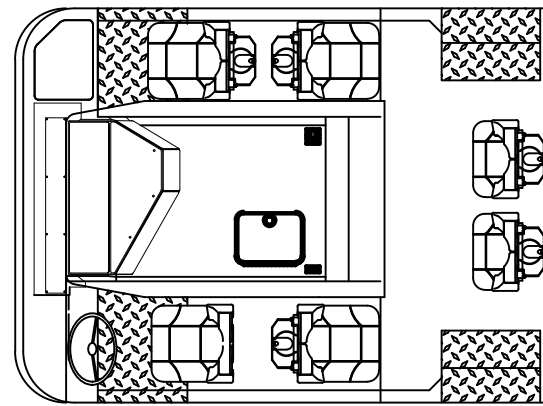
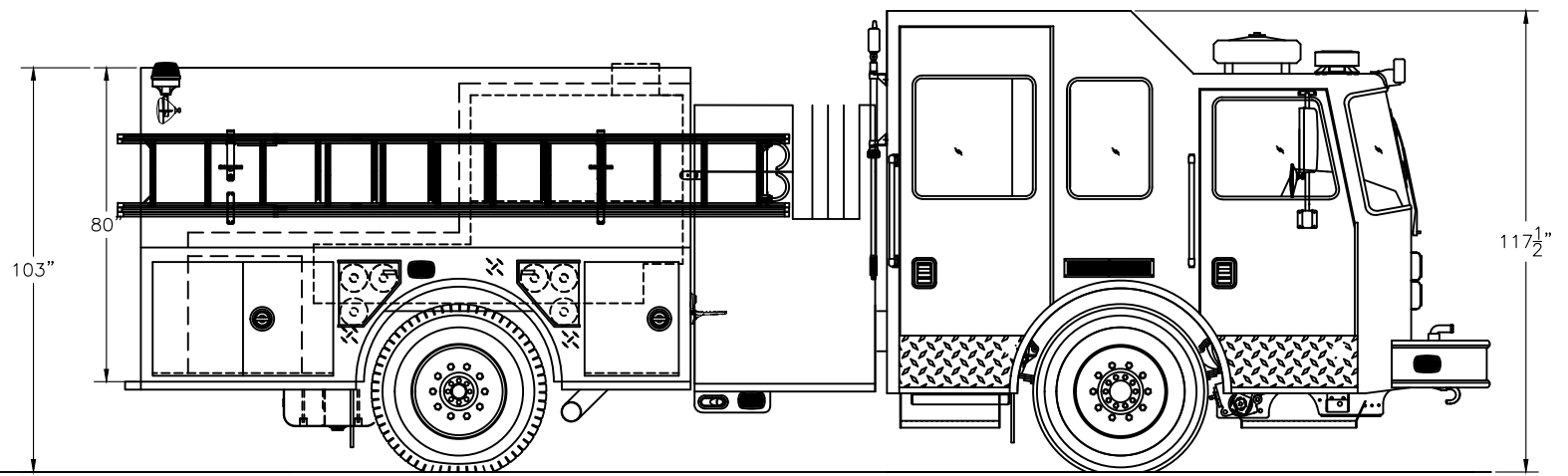
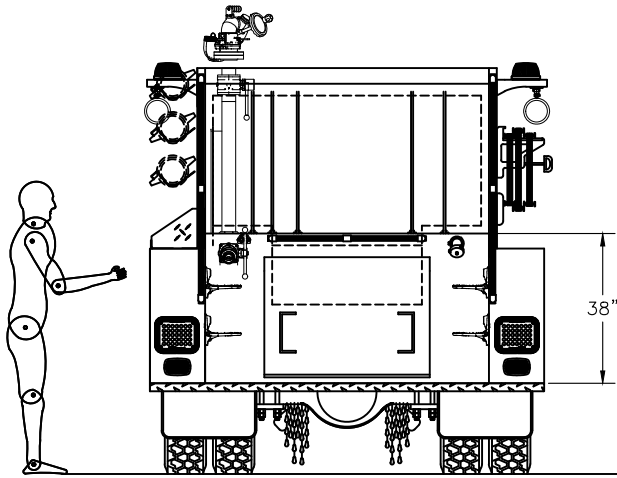


12'  
11'-6"  
11'  
10'-6"  
10'  
9'-6"  
9'  
8'-6"  
8'  
7'-6"  
7'  
6'-6"  
6'  
5'-6"  
5'  
4'-6"  
4'  
3'-6"  
3'  
2'-6"  
2'  
1'-6"  
1'  
6"  
0"



CAB: 100"W KME SEVERE SERVICE X-MFD 16" RR  
ENGINE & TRANS: CUMMINS X10 450 HP/ALLISON 3000 EVS  
AXLES: 22,000# FRONT STEERTEK/24,000# REAR  
PUMP: HALE QMAX-200 2000 GPM SINGLE STAGE PUMP  
WATER TANK: 650 GALLONS WATER  
BODY TYPE: 140" SHORT 3/16" ALUMINUM  
FOAM SYSTEM: N/A

THIS DRAWING IS A GENERAL CONFIGURATION AND MAY NOT NECESSARILY REFLECT ALL CONTRACTUAL REQUIREMENTS. CONTRACT SPECIFICATIONS SHALL PREVAIL OVER DRAWING.

**CUSTOMER APPROVAL:**

NAME: \_\_\_\_\_  
TITLE: \_\_\_\_\_  
DATE: \_\_\_\_\_

SYM	DATE	REVISION DESCRIPTION	APP'D
SALES ENGINEER : TBD			

DIMENSIONS ARE APPROXIMATE & MAY VARY DUE TO BUILD ADJUSTMENTS			
SCALE	DWG SIZE	DRAWN BY	DATE
NONE	B	MJH	2/11/2026
		APPROVED BY	
<b>CUSTOM PUMPER</b>			
<b>LEHIGHTON, PA</b>			
<b>QUOTE # 8832-4</b>			



KME  
ONE INDUSTRIAL COMPLEX - NESQUEHONING, PA 16240